

Functia:

Supapa de refulare este utilizata pentru protejarea sistemelor de presiune de suprapresiunea daunatoare.

Caracteristici:

Cu functionare directa, cu incarcare arc, pozitionare la 90 de grade, cu conexiune cu flanse, supape cu inaltare mica.

Domeniu de aplicare:

Pentru protejarea instalatiilor, robinetilor, aparatelor din partea secundara a statiilor de reglare.

Task:

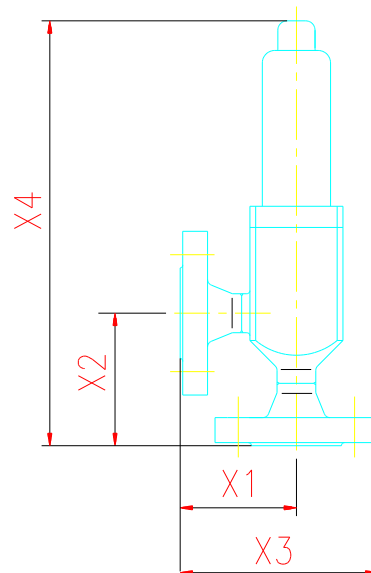
The safety blow-off valve is designed to use in gas distribution system and protects the downstream pipe-against over-pressure.

Technical features:

Direct-acting safety blow-off valves are with spring pressure operated, angle or L-shaped, flanged.

Application:

They are applicable in the down stream side, for the protection of gauges, accessories, equipment.



Datele supapelor de refulare de tip KBD:
Technical data of the KBD Type valves:

Tip Type	Gama de pres de deschidere Adjustable range (bar)	Diametru supapa Diameter of the valve (mm)	Factor de performanta Cos f: (α)	Dimensiuni flansa Diameters of the flanges		Dimensiuni(mm) Overall dimensions				Greutate Weight (kg)
	(bar)	(mm)	(α)	DN	PN	X1	X2	X3	X4	(kg)
KBD-15	0,65-16	12	0,15	15	40	65	75	113	195	2,5
KBD-20	0,65-16	16	0,15	20	40	75	85	128	245	4
KBD-25	0,65-16	20	0,15	25	40	80	90	138	271	5,4
KBD-40	0,65-16	32	0,15	40	40	100	110	175	405	13
KBE-50	0,65-16	40	0,15	50	40	120	135	205	535	23
KBD-65	0,65-16	56	0,15	65	16	135	150	230	625	39

Date tehnice:

Mediu: Gaz natural, gaz PB, aer, gaze non-corozive, care nu se condenseaza in lucru

Temperatura mediu: de la 0 °C pana la +30 °C

Temperatura ambianta: de la -20 °C pana la +40 °C

Pozitie de instalare: vertical

Valoare presiunii de deschidere:
este setabil de preferinta la gama de pres de deschidere

Valoarea presiunii de inchidere:
Mai mic decat presiunea de deschidere cu max 10%

Materialul supapelor de refulare:
Corp supapa: otel carbon,

Materialul elementelor:
Otel cu acoperire anticoroziva sau otel rezistent la corozione, alama, aliaj de aluminiu, cauciuc NBR rezistent la pentan.

Flansa: MSZ 2923, 2925,
DIN 2633, 2635

Service:

Reteua noastra de service international va sta la dispozitie.
Centru: 8800 Nagykanizsa, str. Erdesz 28. Tel: 30/216-5810

Technical features:

Medium: Natural gas, LPG, air non-corrosive gases, which cannot condense in operation.

Medium temperature: 0°C ÷ +30°C

Operating temperature: -20°C ÷ +40°C

Installation: vertical

Opening pressure can be adjusted arbitrarily in a given range with the change of the springs.

Closing pressure cannot be:
10% lower than the opening pressure.

Material of the safety blow-off valves:
Body: carbon steel

Components: steel, plated with anticorrosive material or anticorrosive steel, bronze, aluminum alloy, NBR based antipentan rubber.

Flange: MSZ 2923, 2925,
DIN 2633, 2635

Service:

Our national service network is available for the customers.
Head office: 8800 Nagykanizsa, Erdész str. 28.
Tel: + 36 30/216-5810

HEAT wärmetechnische Anlagen GmbH

A-2362 Biedermannsdorf, Siegfried Marcus-Straße 9
Tel.: +43 2236 73 130
Fax: +43 2236 73 130-300
heat@heatgroup.at
www.heat.at

HEAT gaswärmetechnische Anlagen GmbH

D-34119 Kassel, Querallee 41
Tel.: +49 561 288 56-0
Fax: +49 561 288 56-20
office@heat-gastechnik.de
www.heat-gastechnik.de

LOG Oiltools Kft.

H-8800 Nagykanizsa, Erdész utca 28.
Tel.: +36 93 537 140
Fax: +36 93 537 142
info@logoiltools.hu
www.logoiltools.hu

HEAT Romania S.R.L.

RO-547185 Cristesti, Strada Principală nr. 801
Tel.: +40 365 430 057
Fax: +40 365 430 057
heatgazgep@gmail.com
www.heatgroup.at

HEAT Poland sp.z o.o.

PL-40 761 Katowice, ul. Twarda 21
Tel.: +48 32 252 17 82
Fax: +48 32 252 17 82
info@heatgroup.pl
www.heatgroup.pl

HEAT CZECH Republic

Energy & Environmental Technology s.r.o.
CZ-110 00 Prag 1, Hastalská 1072/6
Tel.: +420 608 661 338
office@heatgroup.cz
www.heatgroup.cz

PSC Personalmanagement GmbH

Zentrale: A-2362 Biedermannsdorf, Siegfried Marcus-Straße 9
Niederlassungen in:
A-1230 Wien, Grawatschgasse 4/Top 14
Tel.: +43 1 890 40 69 / Fax: +43 1 890 40 69-18
A-7400 Oberwart, Lisztgasse 4
Tel.: +43 3352 20 205 / Fax: +43 3352 20 205-18
A-8054 Graz, Kärntnerstraße 400
Tel.: +43 316 228 175 / Fax: +43 316 228 175-18
www.psc-personal.at

HEATBEL Group GmbH

BY-223060 Dorf Gr. Trostenez
Sapadnaja Strasse 9, Minsker Bezirk, Gebiet Minsk
Tel.: +375 17 2 888 019
office@heatgroup.by
www.heatgroup.by

HEAT-Gázgép Kft.

H-8800 Nagykanizsa, Erdész utca 28.
Tel.: +36 93 537 140
Fax: +36 93 537 142
heat-gazgep@heatgroup.hu
www.heat-gazgep.hu

PREMABERG Industrieanlagen GmbH

A-2362 Biedermannsdorf, Siegfried Marcus-Straße 9
Tel.: +43 2236 76 265
Fax: +43 2236 76 265-400
premaberg@heatgroup.at
www.premaberg.at

HEAT Bioenergy GmbH

A-2362 Biedermannsdorf, Siegfried Marcus-Straße 9
Tel.: +43 2236 73 130
Fax: +43 2236 73 130-300
heatbio@heatgroup.at
www.heatbio.at

HEAT Hungary Kft.

H-1047 Budapest, Attila u. 63
Tel.: +36 1 369 15 32
Fax: +36 1 369 72 16
heatgroup@heathungary.hu
www.heathungary.hu

HEAT Bulgas OOD

BG-1113 Sofia, Fr. Joliot Curie Str. 20, Office 803
Tel.: +359 88 945 26 07
bulgas@trading.bg
www.heatgroup.at

E.U.T. Anlagenbau GmbH

A-2362 Biedermannsdorf, Siegfried Marcus-Straße 9
Tel.: +43 2236 712 662
Fax: +43 2236 712 662-400
office@eutwien.at
www.eutwien.at

R+I Rohr- und Industrieanlagen GmbH

A-2362 Biedermannsdorf, Siegfried Marcus-Straße 9
Tel.: +43 2236 710 429
Fax: +43 2236 710 429-900
ri@heatgroup.at
A-8230 Greinbach, Gewerbestraße, Penzendorf 254
Tel.: +43 3332 640 54
Fax: +43 3332 640 54-900
ri@heatgroup.at
www.rui.at

HEAT Holding GmbH

A-2362 Biedermannsdorf, Siegfried Marcus-Straße 9
Tel.: +43 2236 73130
Fax: +43 2236 73 130-300
heat@heatgroup.at
www.heatgroup.at