

Stručnjaci u opskrbi energijom



**Regulator tlaka plina
Gas pressure regulator
EKB-SMART FLOW 40/50/75
EKB-SF**



The Experts in Energy Supply

EKB-SMART FLOW EKB-SF

DVOSTUPANJSKI REGULATOR TLAKA PLINA

EKB-SMART FLOW se primjenjuje za opskrbu plinom općina, domaćinstava, industrijskih i komunalnih potrošača i plamenika u kotlovnica.

Već standardno je dvostupanjski regulator tlaka plina opremljen sigurnosnim zapornim ventilom. Na raspolaganju su različite mogućnosti priključivanja i izvedbi; sa ili bez prirubnica, vanjskim ili unutarnjim navojima, ravni ili kutni, sa osiguračem od nestanka plina, sigurnosnim ispusnim ventilom i uređajem za ograničenje stope protoka.

Regulator tlaka plina je proizveden u skladu sa PED 97/23 EC, EN334 standardima.

TWO STAGE PRESSURE REGULATOR

The EKB-SMART FLOW is used for gas supply of municipalities and industry as houses, communal facilities, big flats thru process gas supply for burner in boiler houses.

As standard, the two stage gas pressure regulators are fitted with a safety shut-off valve. A range of connectors and designs with or without flanges, internal or external threaded, inline or corner version, pressure cut-off for supply, interruption protection, safety blow-off valve and flow rate limitation devices are available.

The gas pressure regulator is designed according to PED 97/23EC, EN334.

TEHNIČKI PODACI

Dopušteni ulazni tlak:	0,06 ÷ 10,0 bar
Nazivna dimenzija:	½"/¾" DN 25/40/50
Područje izlaznog tlaka:	pas 20 ÷ 300mbar
Postavljene vrijednosti sigurnosnog zapornog ventila:	
pso	30 ÷ 400 mbar
psu	15 ÷ 200 mbar
Regulatorna grupa:	AC 5/10
Grupa zatvaranja:	SG 20/30
Točnost:	pso/psu AGo 10/AGu 30
Stopa protoka:	vidi dijagram
Temperaturno područje:	-20/30 ÷ + 60 °C
Položaj ugradnje:	proizvoljan
Priključci:	prirubnice, unutarnji navoj, vanjski navoj

TECHNICAL DATA

Perm.inlet pressure:	0,06 ÷ 10,0 bar
Nominal dimension:	½"/¾" DN 25/40/50
Outlet pressure range:	pas 20 ÷ 300mbar
Set range of safety shut-off valve:	
pso	30 ÷ 400 mbar
psu	15 ÷ 200 mbar
Regulatory class:	AC 5/10
Lock-up pressure class:	SG 20/30
Accuracy:	pso/psu AGo 10/AGu 30
Flow rate:	see diagram
Range of temperature:	-20/30 ÷ + 60 °C
Position of installation:	discretionary
Connection:	flange, internal threaded external threaded

MATERIJALI

Regulator, SZV, kućište:	tlačno lijevani aluminij
Priključci ulazni-/izlazni:	pocinčani čelik
Unutarnji dijelovi:	čelik, mesing, plastika
Membrana:	perbunan (guma otporna na pentan)
O-prsten:	NBR, FPM

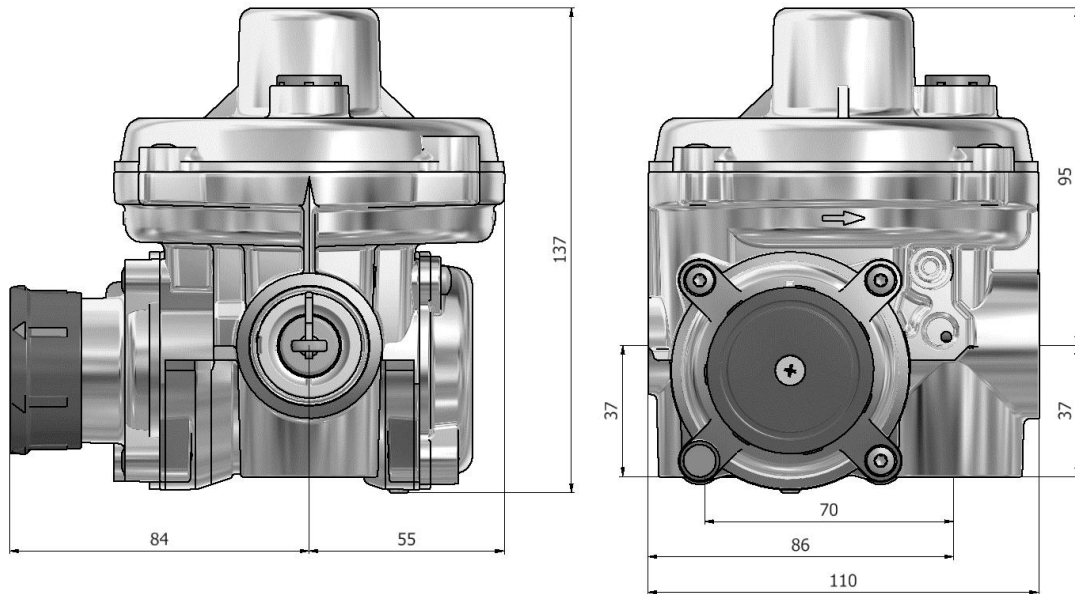
MATERIALS

Regulator, SBV, body:	Die-casting aluminium
Connection inlet/outlet:	Zinc plated steel
Internals:	Steel, brass, plastic
Diaphragm:	Perbunan (pentane resistant rubber)
O-Ring:	NBR, FPM

EKB-SMART FLOW EKB-SF

DIMENZIJE U MM

DIMENSIONS IN MM

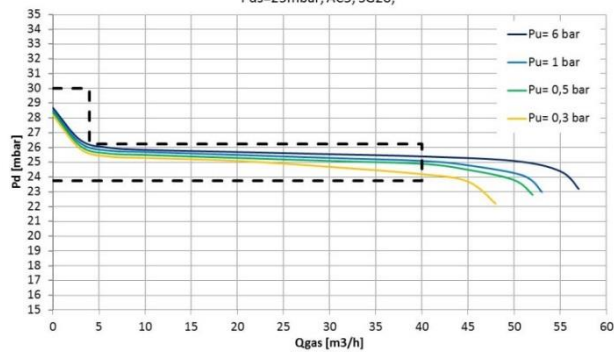


DIJAGRAM PROTOKA*

FLOW DIAGRAM*

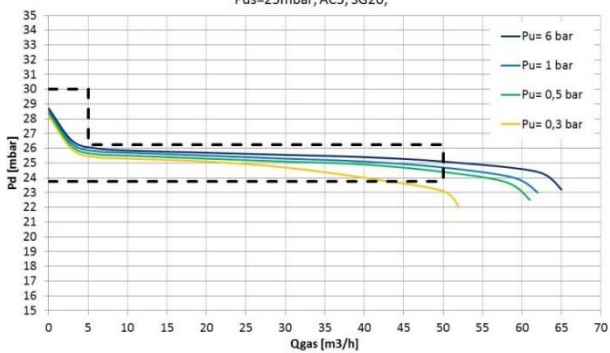
EKB-SF-40

Pds=25mbar; AC5; SG20;



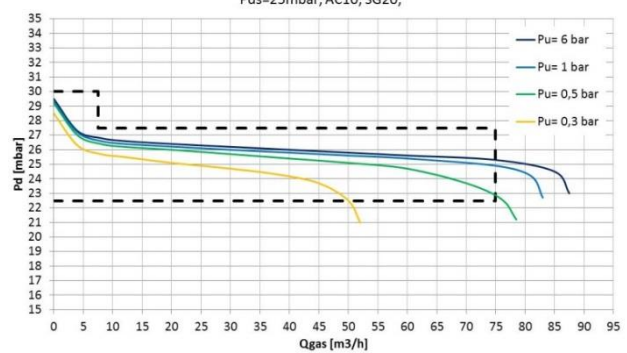
EKB-SF-50

Pds=25mbar; AC5; SG20;



EKB-SF-75

Pds=25mbar; AC10; SG20;



*(ovisno o postavci područja izlaznog tlaka na 2. stranici)

*(product to order according to the outlet pressure range on the 2. page)

HEAT wärmetechnische Anlagen GmbH

A-2362 Biedermannsdorf, Siegfried Marcus-Straße 9
 Tel.: +43 2236 73 130
 Fax: +43 2236 73 130-300
 heat@heatgroup.at
 www.heat.at

HEAT gaswärmetechnische Anlagen GmbH

D-34119 Kassel, Querallee 41
 Tel.: +49 561 288 56-0
 Fax: +49 561 288 56-20
 office@heat-gastechnik.de
 www.heat-gastechnik.de

LOG Oiltools Kft.

H-8800 Nagykanizsa, Erdész utca 28.
 Tel.: +36 93 537 140
 Fax: +36 93 537 142
 info@logoiltools.hu
 www.logoiltools.hu

HEAT Romania S.R.L.

RO-547185 Cristesti, Strada Principală nr. 801
 Tel.: +40 365 430 057
 Fax: +40 365 430 057
 heatgazgep@gmail.com
 www.heatgroup.at

HEAT Poland sp.z o.o.

PL-40 761 Katowice, ul. Twarda 21
 Tel.: +48 32 252 17 82
 Fax: +48 32 252 17 82
 info@heatgroup.pl
 www.heatgroup.pl

HEAT CZECH Republic

Energy & Environmental Technology s.r.o.
 CZ-110 00 Prag 1, Hastalská 1072/6
 Tel.: +420 608 661 338
 office@heatgroup.cz
 www.heatgroup.cz

PSC Personalmanagement GmbH

Zentrale: A-2362 Biedermannsdorf, Siegfried Marcus-Straße 9
 Niederlassungen in:
 A-1230 Wien, Grawatschgasse 4/Top 14
 Tel.: +43 1 890 40 69 / Fax: +43 1 890 40 69-18
 A-7400 Oberwart, Lisztgasse 4
 Tel.: +43 3352 20 205 / Fax: +43 3352 20 205-18
 A-8054 Graz, Kärntnerstraße 400
 Tel.: +43 316 228 175 / Fax: +43 316 228 175-18
 www.psc-personal.at

HEATBEL Group GmbH

BY-223060 Dorf Gr. Trostenez
 Sapadnaja Strasse 9, Minsker Bezirk, Gebiet Minsk
 Tel.: +375 17 2 888 019
 office@heatgroup.by
 www.heatgroup.by

HEAT-Gázgép Kft.

H-8800 Nagykanizsa, Erdész utca 28.
 Tel.: +36 93 537 140
 Fax: +36 93 537 142
 heat-gazgep@heatgroup.hu
 www.heat-gazgep.hu

PREMABERG Industrieanlagen GmbH

A-2362 Biedermannsdorf, Siegfried Marcus-Straße 9
 Tel.: +43 2236 76 265
 Fax: +43 2236 76 265-400
 premaberg@heatgroup.at
 www.premaberg.at

HEAT Bioenergy GmbH

A-2362 Biedermannsdorf, Siegfried Marcus-Straße 9
 Tel.: +43 2236 73 130
 Fax: +43 2236 73 130-300
 heatbio@heatgroup.at
 www.heatbio.at

HEAT Hungary Kft.

H-1047 Budapest, Attila u. 63
 Tel.: +36 1 369 15 32
 Fax: +36 1 369 72 16
 heatgroup@heathungary.hu
 www.heathungary.hu

HEAT Bulgas OOD

BG-1113 Sofia, Fr. Joliot Curie Str. 20, Office 803
 Tel.: +359 88 945 26 07
 bulgas@trading.bg
 www.heatgroup.at

E.U.T. Anlagenbau GmbH

A-2362 Biedermannsdorf, Siegfried Marcus-Straße 9
 Tel.: +43 2236 712 662
 Fax: +43 2236 712 662-400
 office@eutwien.at
 www.eutwien.at

R+I Rohr- und Industrieanlagen GmbH

A-2362 Biedermannsdorf, Siegfried Marcus-Straße 9
 Tel.: +43 2236 710 429
 Fax: +43 2236 710 429-900
 ri@heatgroup.at
 A-8230 Greinbach, Gewerbepark, Penzendorf 254
 Tel.: +43 3332 640 54
 Fax: +43 3332 640 54-900
 ri@heatgroup.at
 www.rui.at

HEAT Holding GmbH

A-2362 Biedermannsdorf, Siegfried Marcus-Straße 9
 Tel.: +43 2236 73130
 Fax: +43 2236 73 130-300
 heat@heatgroup.at
 www.heatgroup.at