



ECO-FRIENDLY

REGULATOR DE PRESIUNE DE GAS
GAS PRESSURE REGULATOR
EKB-SMART FLOW 40/50/75

SUITABLE FOR UP TO 30% H₂ FEED INTO THE GAS NETWORK

Regulator de presiune in doua trepte

Regulatorul de presiune EKB-SMART FLOW serveste la alimentarea cu gaz a municipalitatilor si consumatorilor industriali, case, facilitati comunale, cat si de la blocuri de locuinte pana la arzatoarele centralelor termice. In componenta de baza a reguletoarelor de presiune in doua trepte, fac parte supapele de blocare. O mare varietate de versiuni: constructie liniara sau pe colt, cu flanse sau cu filet, cu protectie in caz de oprirea furnizarii gazului, cu supapa de descarcare sau fara, precum si cu limitatoare de debit sau fara. Reguletoarele sunt conforma PED 2014/68/EU, EN334.

Date Technice

Pres. de intrare permisa:	0,06 ÷ 10,0 bar
Diametrul nominal:	½"/¾" DN 25/40/50
Domeniul pres. de iesire:	pas 20 ÷ 300mbar
Domeniu reglare supapa blocare:	
pso	30 ÷ 400 mbar
psu	15 ÷ 200 mbar
Grupa pres. de reglare:	AC 5/10
Grupa pres.de inchidere:	SG 20/30
Acuratete:	pso/psu AGo 10/AGu 30
Debit:	vezi diagrama
Domeniu de temperatura:	-20/30 ÷ + 60 °C
Pozitia de instalare:	optionala
Felul racordului:	cu flanse, cu filet interior, cu filet exterior

Materiale

Regulator, SAV, carcasa:	aluminiu turnat
Racord intrare / iesire:	otel zincat
Componente interne:	otel, alama, plastic
Membranen:	Perbunan (cauciuc rez. la pentan)
Garnituri de etanseitate:	NBR, FPM

Two stage pressure regulator

The EKB-SMART FLOW is used for gas supply of municipalities and industry as houses, communal facilities, big flats thru process gas supply for burner in boiler houses.

As standard, the two stage gas pressure regulators are fitted with a safety shut-off valve. A range of connectors and designs with or without flanges, internal or external threaded, inline or corner version, pressure cut-off for supply, interruption protection, safety blow-off valve and flow rate limitation devices are available.

The gas pressure regulator is designed according to PED 2014/68/EU, EN334.

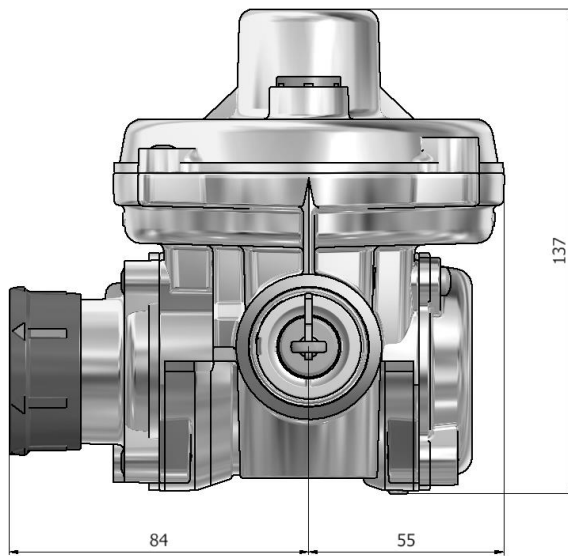
Technical data

Perm.inlet pressure:	0,06 ÷ 10,0 bar
Nominal dimension:	½"/¾" DN 25/40/50
Outlet pressure range:	pas 20 ÷ 300mbar
Set range of safety shut-off valve:	
pso	30 ÷ 400 mbar
psu	15 ÷ 200 mbar
Regulatory class:	AC 5/10
Lock-up pressure class:	SG 20/30
Accuracy:	pso/psu AGo 10/AGu 30
Flow rate:	see diagram
Range of temperature:	-20/30 ÷ + 60 °C
Position of installation:	discretionary
Connection:	flange, internal threaded external threaded

Materials

Regulator, SsV, body:	Die-casting aluminium
Connection inlet/outlet:	Zinc plated steel
Internals:	Steel, brass, plastic
Diaphragm:	Perbunan (pentane resistant rubber)
O-Ring:	NBR, FPM

Dimensiuni in mm



Dimensions in mm

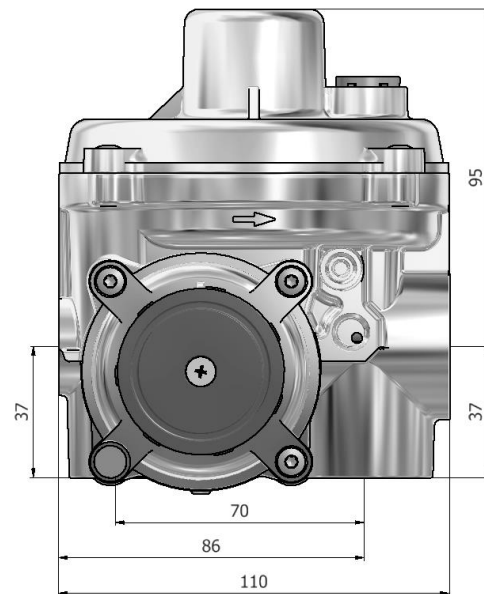
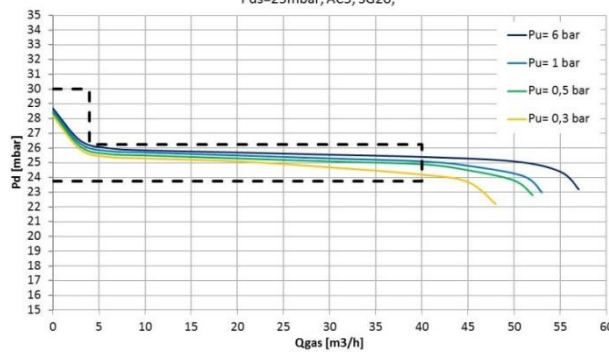


Diagrama de debit*

Flow diagram*

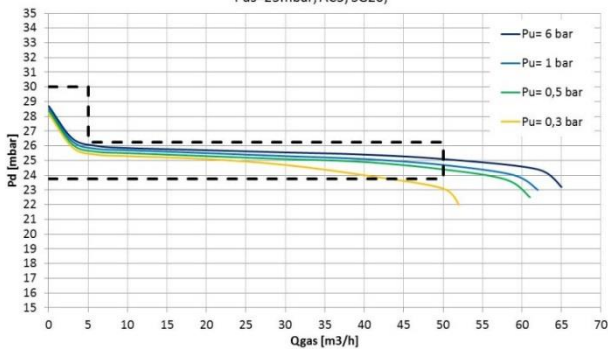
EKB-SF-40

Pds=25mbar; ACS; SG20;



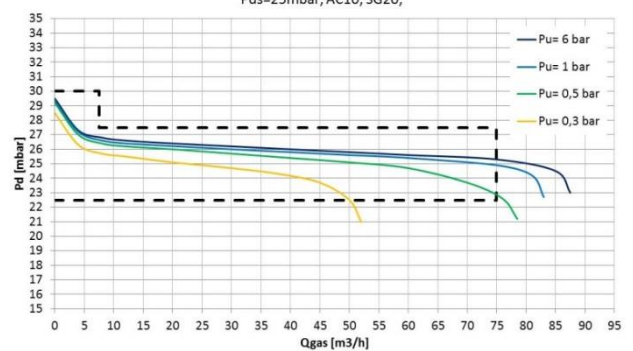
EKB-SF-50

Pds=25mbar; ACS; SG20;



EKB-SF-75

Pds=25mbar; AC10; SG20;



*(Se poate comanda produsul conform gamei de presiune de iesire de pe pagina 2.)

*(Product to order according to the outlet pressure range on the 2. page)

HEAT

GAS AND OIL EQUIPMENT

HEAT energy GmbH

A-2362 Biedermannsdorf, Rheinboldtstraße 16
Tel.: +43 664824 1616
heat-energy@heatgroup.at
www.heatgroup.at

HEAT gaswärmetechnische Anlagen GmbH

D-34119 Kassel, Querallee 41
Tel.: +49 561 288 56-0
Fax: +49 561 288 56-20
office@heatgroup.de
www.heatgroup.de

HEAT Romania S.R.L.

RO-547 185 Cristesti (Targu Mures)
Strada Principală nr. 801
Tel.: +40 365 430 057
Fax: +40 365 430 057
office@heatgroup.ro
www.heatgroup.ro

HEAT Poland Sp. z o.o.

PL-40 761 Katowice, ul. Twarda 21
Tel.: +48 32 252 17 82
Fax: +48 32 252 17 82
info@heatgroup.pl
www.heatgroup.pl

QR-Code

Prospekt

HEAT energy Kft.

H-8800 Nagykanizsa, Erdész u. 28.
Tel.: +36 93 537 140
Fax: +36 93 537 142
heat-energy@heatgroup.hu
www.heatgroup.hu

LOG Oiltools Kft.

H-8800 Nagykanizsa, Erdész u. 28.
Tel.: +36 93 537 140
Fax: +36 93 537 142
info@logoiltools.hu
www.logoiltools.hu

HEAT Hungary Kft.

H-1047 Budapest, Attila u. 63.
Tel.: +36 1 369 15 32
Fax: +36 1 369 72 16
heatgroup@heathungary.hu
www.heathungary.hu

HEAT Bulgas OOD

BG-1113 Sofia, Fr. Joliot Curie Str. 20, Office 803
Tel.: +359 88 945 2607
office@heatgroup.bg
www.heatgroup.at

QR-Code

Anfrageblatt

HEAT Holding International GmbH

A-2362 Biedermannsdorf, Siegfried Marcus-Straße 9
Tel.: +43 2236 73 130
Fax: +43 2236 73 130-300
hhi@heatgroup.at
www.heatgroup.at