



**ECO-FRIENDLY**  
**REGULATOR TLAKA PLINA**  
**GAS PRESSURE REGULATOR**  
**EKB 10/25**

**POGODNO ZA DO 30% ULAZA H<sub>2</sub> U PLINSKU MREŽU**  
**SUITABLE FOR UP TO 30% H<sub>2</sub> FEED INTO THE GAS NETWORK**

## Dvostupanjski regulator tlaka plina

Funkcija dvostupanjskog EURO KOMBIBLOCK EKB regulatora tlaka plina je smanjiti izlazni tlak na prethodnu, konstantnu vrijednost i to neovisno o razini ulaznog tlaka (0,1-10,0 bar) i stopi protoka. Primjenjuje se kod opskrbe plinom kuća, ureda, društvenih zgrada i industrijskih pogona. EKB s visokim stupnjem točnosti pri regulaciji (AC 5, SG 20) i raznolikosti svih mrežnih priključaka nudi višestruke mogućnosti primjene.

Već standardno je dvostupanjski regulator tlaka plina opremljen sigurnosnim zapornim ventilom. Na raspolaganju su različite mogućnosti priključivanja i izvedbi, sa ili bez prirubnica, vanjskim ili unutarnjim navojima, ravni ili kutni, s termičkim osiguračem (HTB), zaštitnom membranom ili osiguračem kod nestanka plina, zaštitni ispusni ventil i uređaj za ograničavanje stope protoka.

Regulatori su projektirani u skladu s smjernicama PED 2014/68/EU.

## Tehnički podaci

<b>Dopušteni ulazni tlak:</b>	0,1 ÷ 10,0 bar
<b>Nazivna dimenzija:</b>	DN 25
<b>Područje izlaznog tlaka:</b>	pas 13 ÷ 100mbar
<b>postavljene vrijednosti sigurnosn.zapornog ventila:</b>	
pso	30 ÷ 160 mbar
psu	6 ÷ 75 mbar
<b>Regulatorna grupa:</b>	AC 5/10
<b>Grupa zatvaranja:</b>	SG 20
<b>Točnost:</b>	pso/psu AGo 10/AGu30
<b>Stopa protoka:</b>	vidi dijagram
<b>Temperaturno područje:</b>	-30 ÷ + 60 °C
<b>Položaj montaže:</b>	diskretno
<b>Toplinsko otpuštanje HTB:</b>	105 °C
<b>Priključak:</b>	Prirubnica, unutarni navoj, vanjski navoj

## Materijali

<b>Regulator, SZV, kućište:</b>	Tlačno lijevani aluminij
<b>Poklopci membrane:</b>	Tlačno lijevani aluminij
<b>Priključak ulaz/izlaz:</b>	Pocinčani čelik
<b>Unutarnji dijelovi:</b>	Čelik, mjed, plastika
<b>Membrana:</b>	Perbunan (guma otporna na pentan)
<b>O-prsten:</b>	NBR, FPM

## Two stage pressure regulator

The function of the two stage EURO KOMBIBLOCK EKB type gas pressure regulator is to reduce the outlet pressure to a previously given, constant level, irrespective of the level of inlet pressure (0,1-10,0 bar) and the flow rate. It is applied to supply gas for houses, offices, social buildings and industrial establishments. The EKB with a high-level accuracy in regulation (AC 5, SG 20) and variety in all-mains connection offers a wide range of many-sided combination.

As standard, the two stage gas pressure regulator are fitted with a safety shut-off valve. A range of connectors and designs with or without flanges internal or external threaded, inline or corner version, thermal gas cut-off (HTB) safety membrane or pressure cut-off for supply interruption protection, safety blow-off valve and flow rate limitation devices are available.

The gas pressure regulator is designed according to PED 2014/68/EU.

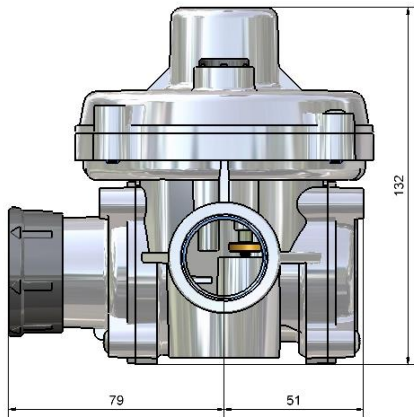
## Technical data

<b>Perm.inlet pressure:</b>	0,1 ÷ 10,0 bar
<b>Nominal dimension:</b>	DN 25
<b>Outlet pressure range:</b>	pas 13 ÷ 100mbar
<b>Set range of safety shut-off valve:</b>	
pso	30 ÷ 160 mbar
psu	6 ÷ 75 mbar
<b>Regulatory class:</b>	AC 5/10
<b>Lock-up pressure class:</b>	SG 20
<b>Accuracy:</b>	pso/psu AGo 10/AGu 30
<b>Flow rate:</b>	see diagram
<b>Range of temperature:</b>	-30 ÷ + 60 °C
<b>Position of installation:</b>	discretionary
<b>Thermic release cc.:</b>	105 °C
<b>Connection:</b>	flange, internal threaded external threaded

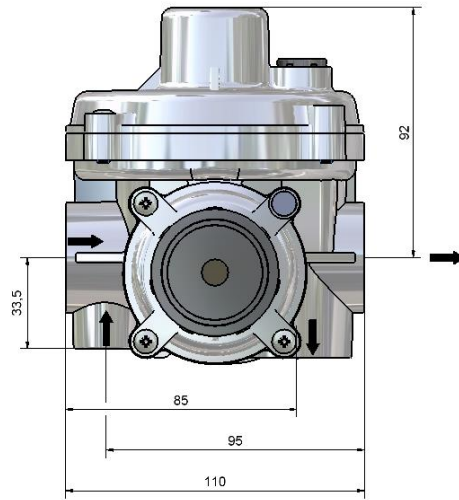
## Materials

<b>Regulator, SSV, body:</b>	Die-casting aluminium
<b>Membran covers:</b>	Die-casting aluminium
<b>Connection inlet/outlet:</b>	Zinc plated steel
<b>Internals:</b>	Steel, brass, plastic
<b>Diaphragm:</b>	Perbunan (pentane resistant rubber)
<b>O-Ring:</b>	NBR, FPM

## Dimenzije u mm



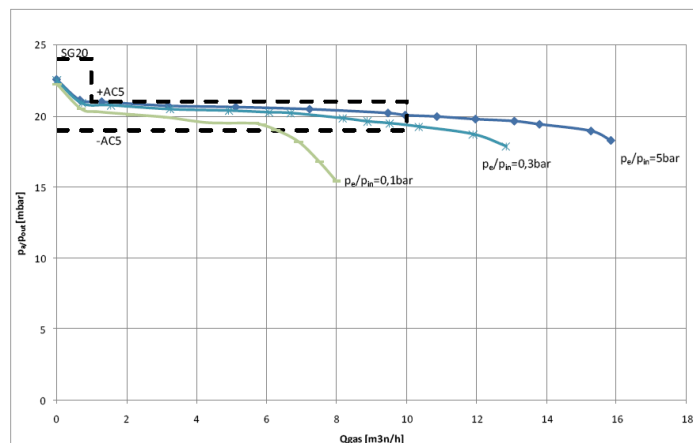
## Dimensions in mm



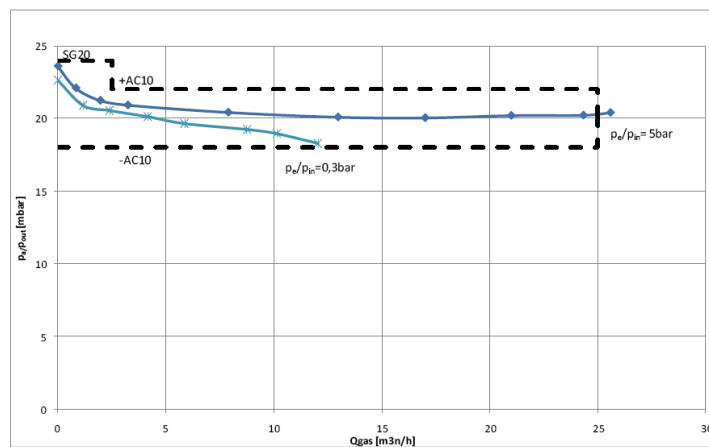
## Dijagram protoka

## Flow diagram

### EKB 10



### EKB 25



# HEAT

GAS AND OIL EQUIPMENT

## HEAT energy GmbH

A-2362 Biedermannsdorf, Rheinboldtstraße 16  
Tel.: +43 664824 1616  
[heat-energy@heatgroup.at](mailto:heat-energy@heatgroup.at)  
[www.heatgroup.at](http://www.heatgroup.at)

## HEAT gaswärmetechnische Anlagen GmbH

D-34119 Kassel, Querallee 41  
Tel.: +49 561 288 56-0  
Fax: +49 561 288 56-20  
[office@heatgroup.de](mailto:office@heatgroup.de)  
[www.heatgroup.de](http://www.heatgroup.de)

## HEAT Romania S.R.L.

RO-547 185 Cristesti (Targu Mures)  
Strada Principală nr. 801  
Tel.: +40 365 430 057  
Fax: +40 365 430 057  
[office@heatgroup.ro](mailto:office@heatgroup.ro)  
[www.heatgroup.ro](http://www.heatgroup.ro)

## HEAT Poland Sp. z o.o.

PL-40 761 Katowice, ul. Twarda 21  
Tel.: +48 32 252 17 82  
Fax: +48 32 252 17 82  
[info@heatgroup.pl](mailto:info@heatgroup.pl)  
[www.heatgroup.pl](http://www.heatgroup.pl)

QR-Code

Prospekt

## HEAT energy Kft.

H-8800 Nagykanizsa, Erdész u. 28.  
Tel.: +36 93 537 140  
Fax: +36 93 537 142  
[heat-energy@heatgroup.hu](mailto:heat-energy@heatgroup.hu)  
[www.heatgroup.hu](http://www.heatgroup.hu)

## LOG Oiltools Kft.

H-8800 Nagykanizsa, Erdész u. 28.  
Tel.: +36 93 537 140  
Fax: +36 93 537 142  
[info@logoiltools.hu](mailto:info@logoiltools.hu)  
[www.logoiltools.hu](http://www.logoiltools.hu)

## HEAT Hungary Kft.

H-1047 Budapest, Attila u. 63.  
Tel.: +36 1 369 15 32  
Fax: +36 1 369 72 16  
[heatgroup@heathungary.hu](mailto:heatgroup@heathungary.hu)  
[www.heathungary.hu](http://www.heathungary.hu)

## HEAT Bulgas OOD

BG-1113 Sofia, Fr. Joliot Curie Str. 20, Office 803  
Tel.: +359 88 945 2607  
[office@heatgroup.bg](mailto:office@heatgroup.bg)  
[www.heatgroup.at](http://www.heatgroup.at)

QR-Code

Anfrageblatt

## HEAT Holding International GmbH

A-2362 Biedermannsdorf, Siegfried Marcus-Straße 9  
Tel.: +43 2236 73 130  
Fax: +43 2236 73 130-300  
[hhi@heatgroup.at](mailto:hhi@heatgroup.at)  
[www.heatgroup.at](http://www.heatgroup.at)